

# LED Fixtures

## Eurostyle: LL361, LL362 & LL363

### SPECIFICATIONS

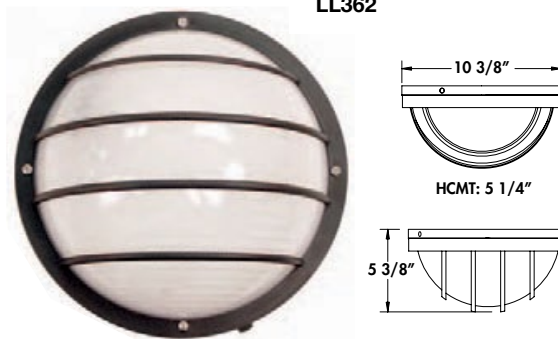
- 120-277V input voltage, 50/60Hz
- Constant current at 700 mA
- Driver UL Class 2, power factor > .90
- Ambient operating temperature -40°C (-40°F) to +40°C (105°F)
- Estimated 50,000 HRS L<sub>70</sub>\*
- Thermally protected LED array
- Powdercoated aluminum back pan
- Molded of durable non-corrosive UV resistant resins
- Wall or ceiling mount
- Standard pack qty: 12

### LISTING & RATINGS

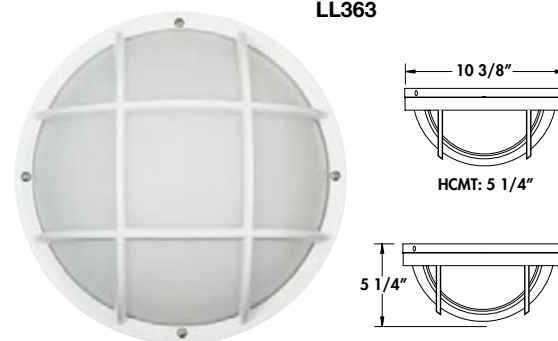
UL/CUL listed for wet location



LL361



LL362



LL363

### ORDERING INFORMATION

Modello	Source/Wattage	Color Temp	Body	Diffuser	Option
LL361 = Round LL362 = Grill LL363 = Grid	L1800C = 8 CREE LED ARRAY (18W) 22W Power Input 1824 Lumens 82 Lumens per watt**	4000K CRI = 74 (TYP)	B = Black W = White	F = Frosted	O = Occupancy Sensor P = Photocell

L1800C LED REPLACEMENT PARTS
L18C-DC-700-08-R = 8 CREE LED ARRAY
IG1800-DMV-1 = LED DRIVER

\* Data per LM79/LM80/TM21 available upon request  
\*\* Estimated from LED source

Photocells are only available for 120V applications

All products are UL and/or ETL Certified.



Lumencia Lighting, Inc.  
215-512-7000  
Fax 267-288-5604  
www.lumencia.com  
421 Bustleton Pike  
Feasterville, PA 19053

